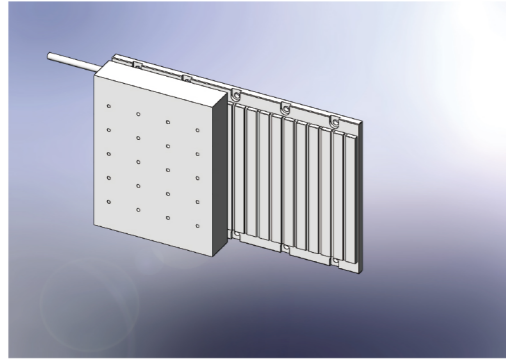




LINEAR MOTOR LMFH040



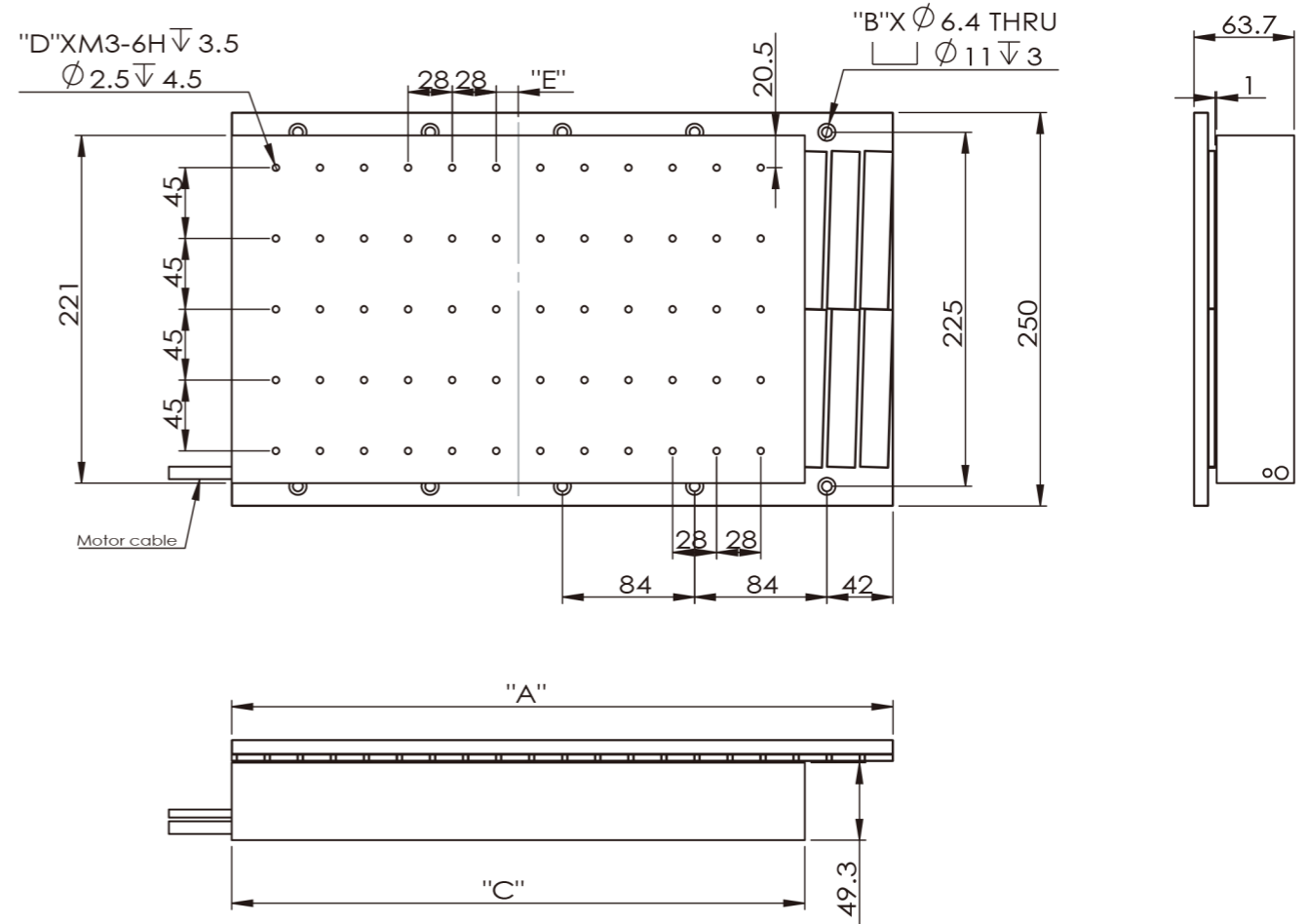
标准规格/Standard Specifications
 绝缘耐压/Insulation Capacity : AC1500V 1min
 周围温度/Operating Range : 0~25°C
 冷却方式/Cooling Method : Self-cool
 绝缘电阻/Insulation Resistance : DC500V 100MΩ or more
 周围湿度/Operating range : 20~80%(No condensation)
 (in controlled environment)
 最大温度/Maximum temperature : 125°C

详细规格/Specification			
参数 Parameter	单位 Unit	LMFH040-CP364	
性能指标 Performance Specifications			
额定推力 Continuous Force	N	2700	
峰值推力 Peak Force	N	6849	
电气性能 Electrical Specifications			
线间感应电压常数 BEMF Constant(line- 额定电流 Continuous Current	V/(m/s)	262.40	
峰值电流 Peak Current,Stall	Arms	8.40	
推力常数 Force Constant	Arms	21.30	
马达常数 Motor Constant	N/Arms	321.4	
线间电阻 (25°C) Resistance,25°C (line-line)	N/√W	127.90	
线间电感 Inductance,(line-line)	Ω	4.35	
散热常数 Thermal Resistance	mH	103.00	
磁吸力 Attraction Force	°C/W	0.14	
最大电压 Maximum Bus Voltage	Kn	10.695	
机械性能 Mechanical Specifications			
动子重量 Coil Weight	kg	26.5	
动子长度 Coil Length	mm	364	
磁轨重量 Magnet Track Weight	kg/m	22.4	
磁极间距 (NN) Magnetic Pole Pitch (NN)	mm	42	

注/Notes:

- Performance is dependent upon heat sink configuration, system cooling conditions, and ambient temperature.
- 性能取决于散热器配置、系统冷却条件和环境温度。
- Values shown @ 100°C rise above a 25°C ambient temperature, with motor mounted to the specified aluminum heat sink.
- 在高于25°C至100°C的环境温度时，电机需安装在指定的铝制散热器上。
- Peak force assumes correct rms current; consult SMJ.
- 峰值扭矩下设置正确的电流值，请咨询SMJ。
- Force constant and motor constant specified at stall.
- 失速时规定的力常数和电机常数
- All performance and electrical specifications ±10%.
- 所有性能和电气规格偏差 ±10%

外形尺寸/Dimensions(mm)



定子/Magnet Plate

Model No.	A	B
LMFH040-MP168	168	4
LMFH040-MP252	252	6
LMFH040-MP420	420	10

动子/Coil Plate

Model No.	C	D	E
LMFH040-CP364	364	60	14