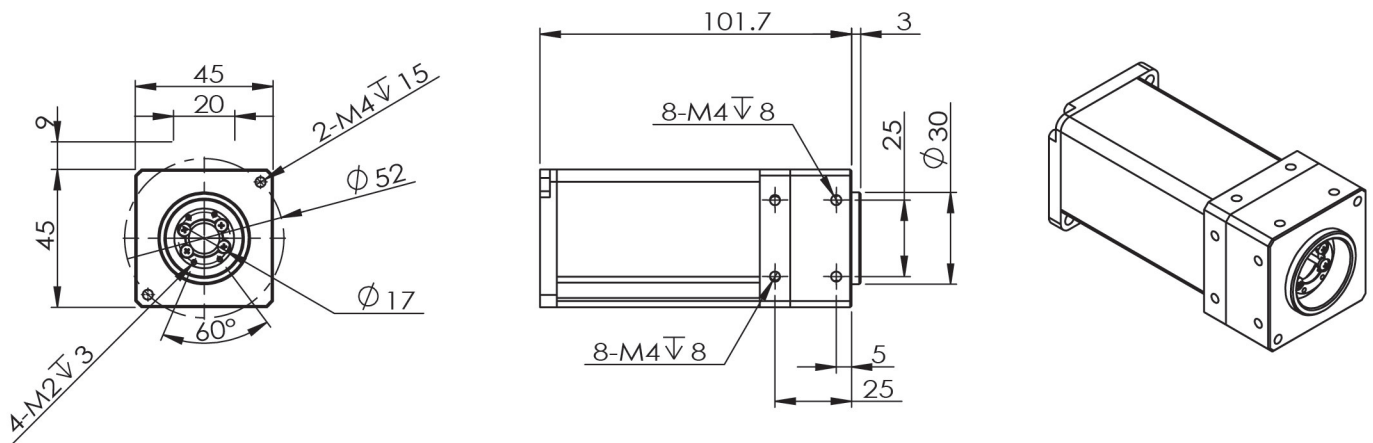


BEA45



Motor Data

1	motor model		BEA4512	BEA4524	BEA4536	Unit
2	nominal voltage	VT	12	24	36	V
3	nominal torque	TR	0.18	0.16	0.14	Nm
4	peak torque	TP	0.45	0.91	1.36	Nm
5	nominal current	IR	8.5	7.5	6.6	A
6	peak current	IP	20	39	58.5	A
7	nominal speed	NR	3000	7500	12000	rpm
8	power at nominal speed	PR	57	126	176	W
9	number of pole pairs	2p	3	3	3	
10	rotor inertia	J	0.34	0.34	0.43	Kg*cm ²
11	shaft type		Ballscrew & Sliding screw			
12	screw diameter		φ6			
13	feedback		None			
14	protection class		IP64			
15	motor insulation class		class B			

Screw selection reference

lead mm	Nominal thrust force kgf			Nominal speed mm/s		
	BEA4512 (0.18N·m)	BEA4524 (0.16N·m)	BEA4536 (0.14N·m)	BEA4512	BEA4524	BEA4536
1	110.73	110.73	86.13	50	125	200
2	55.37	55.37	43.06	100	250	400