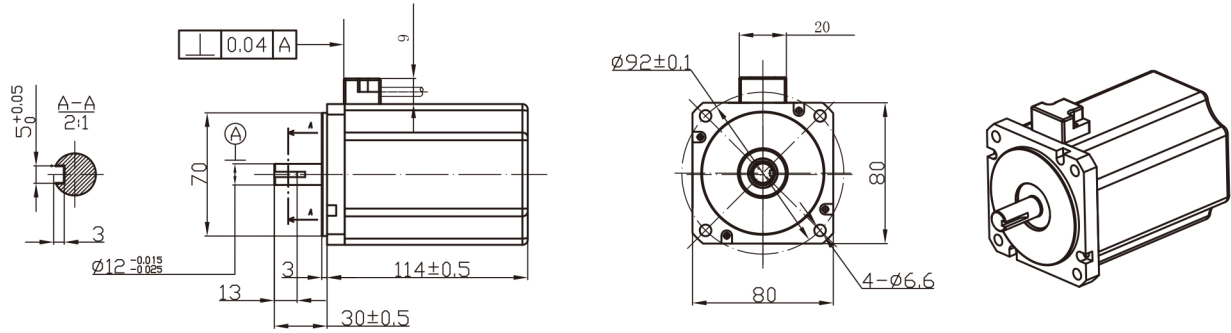


BMP80 | Brushless



Motor Data

	motor model		BMP8024	BMP8048		
1	no load voltage	V	24	48	volts	
2	no load speed	Wnl	4500	4500	rpm	
3	no load current	Inl	1.8	0.8	Amps	
4	nominal voltage	Vc	24	48	VDC	
5	nominal torque	Tc	1	1	Nm	
6	nominal speed	Wc	3650	3650	rpm	
7	nominal current	Ic	21.6	10.8	amps	
8	output power	Pc	382	382	watts	
9	torque constant	Kt	0.051	0.102	Nm / apm	
10	back EMF constant	Kv	187.2	93.6	rpm / volt	
		Ke	5.34	10.7	V / Krpm	
11	terminal resistance	Rt	0.08	0.31	Ω	
12	cogging and hysteresis torque	Tc Th	0	0	mNm	
13	terminal inductance	L	12.6	50	μH	
14	mechanical time constant	Tm	20	20	ms	
15	electrical time constant	Te	0.158	0.161	ms	
16	weight	Wt	1.7	1.7	kg	
17	max. efficiency	η	82	85	%	
18	max. permissible rotor temperature	Temp	120		°C	
19	max. output power	Pmax	1000	1100	W	
20	terminal definitions	U: green V: black W: red +5V: yellow GND:grey H1: brown H2: orange H3: blue Thermistor: violet				

Graph

Torque-Speed- Current

