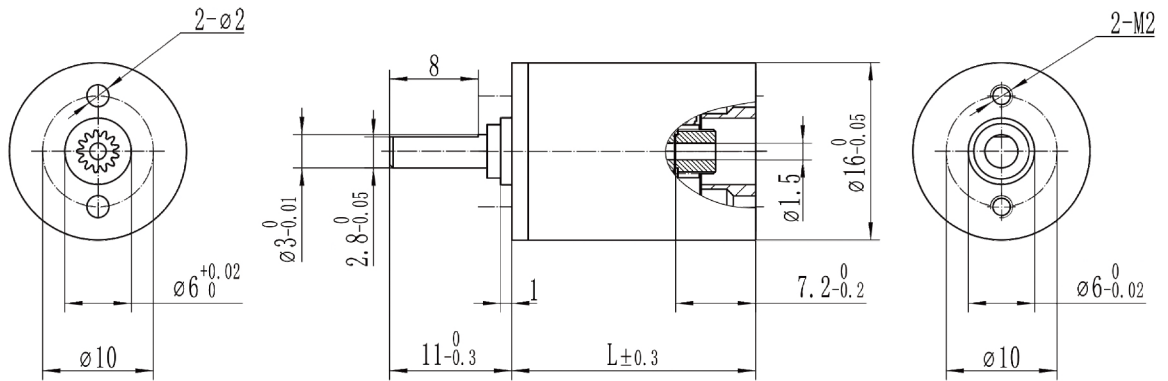


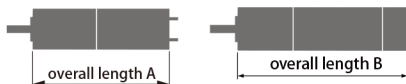
Planetary Gearhead P16H



Gearhead Data

1	Radial play	mm	≤ 0.1						
2	Axial play	mm	≤ 0.2						
3	Max. force for press fits	N	100						
4	Max. radial load	N	8						
5	Max. axial load	N	8						
6	Recommended temperature range		$-20^{\circ}\text{C} \sim +125^{\circ}\text{C}$						
7	Number of stages		1	2	3	4	5		
8	Max. continuous torque	Nm	0.15	0.2	0.25	0.3	0.35		
9	Max. intermittent torque at gear output	Nm	0.2	0.23	0.35	0.4	0.45		
10	Max. efficiency		90	81	73	65	59		
11	Weight	g	15	20	25	30	35		
12	Gearhead length L	mm	14.8	18.4	22	25.6	29.2		
13	Reduction		3.79	14.36	54.42	206.21	421.22	781.44	1543
			4.31	16.34	61.93	234.67	479.36	889.29	1596.2
			5.08	18.6	70.48	267.06	495.88	1012.03	1756
				19.24	72.91	276.67	564.33	1046.93	1816.5
				21.89	80.2	303.92	664.36	1151.72	1879.1
				25.78	82.97	314.4		1191.42	2067.2
					94.42	345.87		1310.68	2138.5
					111.16	357.8		1355.87	2433.7
					130.86	370.13		1402.61	2517.6
						407.18		1491.58	2865

Other speed ratio please ask for advice



SMJ Modular System

+Motor	Page	Overall length A					Overall length B				
		1	2	3	4	5	1	2	3	4	5
DR1624B	24	38.6	42.2	45.8	49.4	53					
DR1641B	25	55.6	59.2	62.8	66.4	70					
SR1632B	32						46.7	50.3	53.9	57.5	61.1
SR1650B	32						63.7	67.3	70.9	74.5	78.1